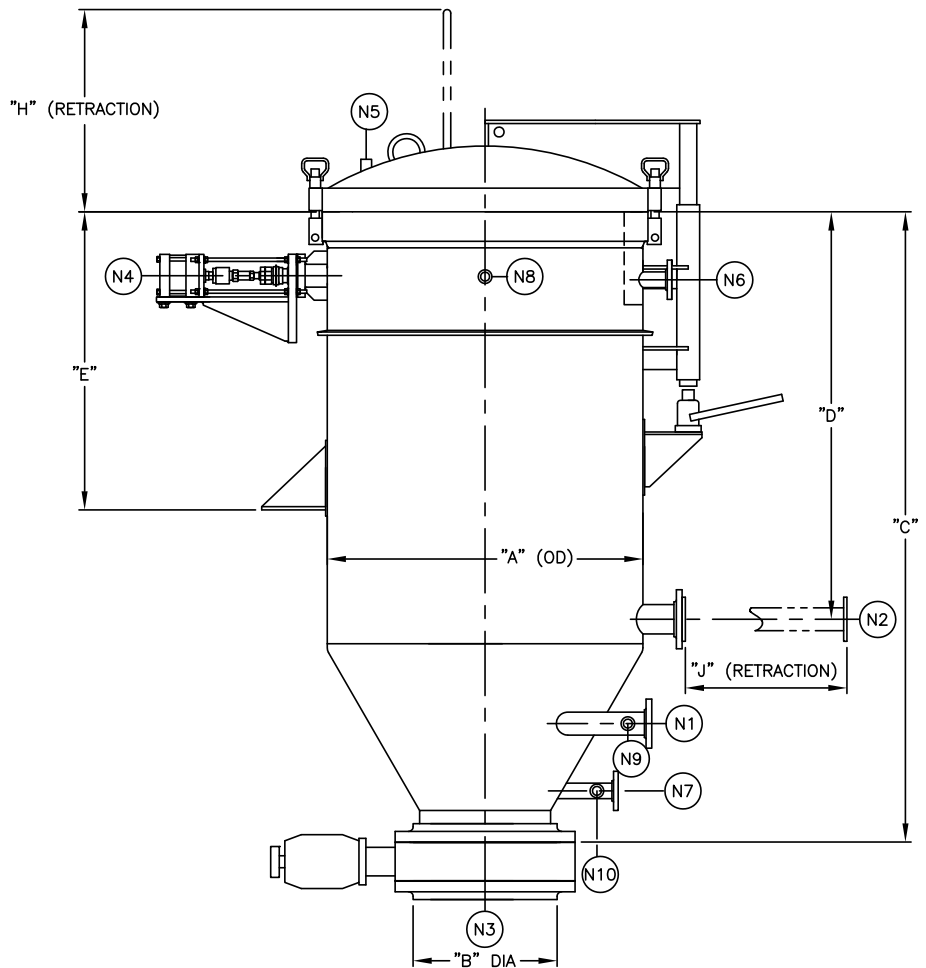
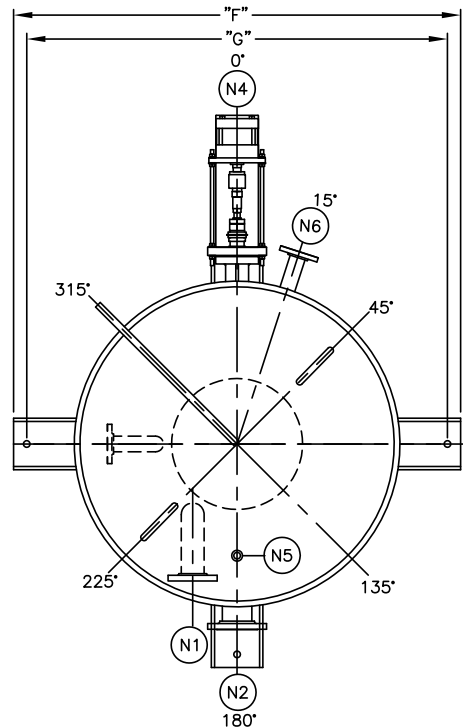
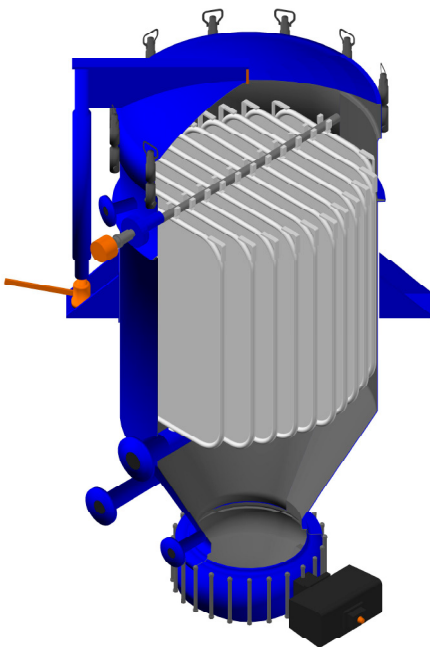


LEEM VLD-130 Series Filters

| | |
|---|--------|
| Empty Weight (lb) | 1800 |
| Capacity (gal) | 290 |
| Outside Diameter (in) | 35 3/8 |
| Max. Filtration Area (ft ²) | 130 |
| Max. Leaves | 11 |

| Nozzle | Service |
|--------|-----------------------|
| N1 | Inlet |
| N2 | Outlet |
| N3 | Cake Outlet |
| N4 | Vibrator Connection |
| N5 | Pressure Gauge |
| N6 | Air Vent |
| N7 | Heel Drain |
| N8 | High Level Connection |
| N9 | Low Level Connection |
| N10 | Auxiliary Connection |

| Dim. | Size (inches) |
|------|---------------|
| A | 35 3/8 |
| B | 14 |
| C | 75 1/2 |
| D | 49 1/2 |
| E | 42 |
| F | 55 3/8 |
| G | 51 3/8 |
| H | 40 1/2 |
| J | 39 7/8 |



LEEM Filtration

25 Arrow Road • Ramsey, NJ 07446
 Tel: (201) 236-4833 • Fax: (201) 236-2004
www.leemfiltration.com